



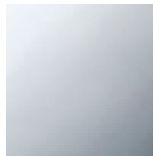
Kitchen - Meta.02

HOT & COLD WATER DISPENSER - polished chrome

Article number: 17 861 625-00



- 5-3/4" Projection
- Rigid, thermally insulated spout
- Laminar stream
- Total height 9-3/4"
- 7-1/4" height to aerator/spout outlet
- 1-3/8" hole diameter
- Provides filtered, hot water, 199°F max. temperature
- Provides filtered, cold water (not chilled)
- Water flow rate limited to max. 0.5 gpm
- control unit for wall assembly (5-3/8" x 6-1/4" x 2-3/8")
- electronic valve
- plug-in power supply, 100-230 V, 50-60 Hz, 18 W, incl. country-specific adaptor set
- lead-free
- One lever for hot and cold water
- Fittings group in compliance with DIN 4109: 1
- (ADA)
- Compatible with Insinkerator® hot water tank HWT300-F2000S. Tank and filter not supplied from Dornbracht. More information on tank and filter at www.insinkerator.com.
- In addition, the installation must be above a kitchen sink.
- We recommend replacing the filter cartridge every six months. Please see the installation manual for more information.
- Specification and technical data sheets can be found on www.dornbracht.com/professional

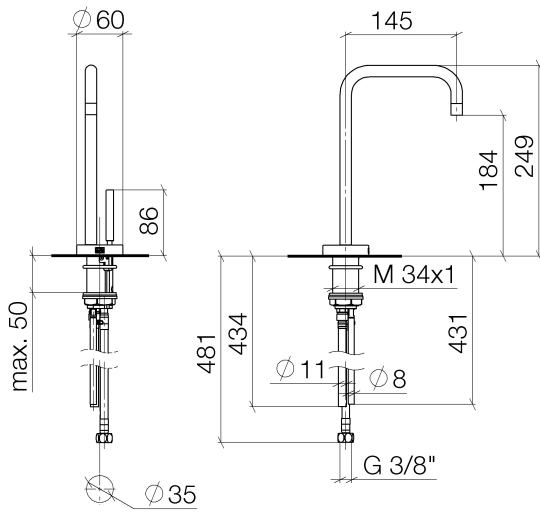


polished chrome



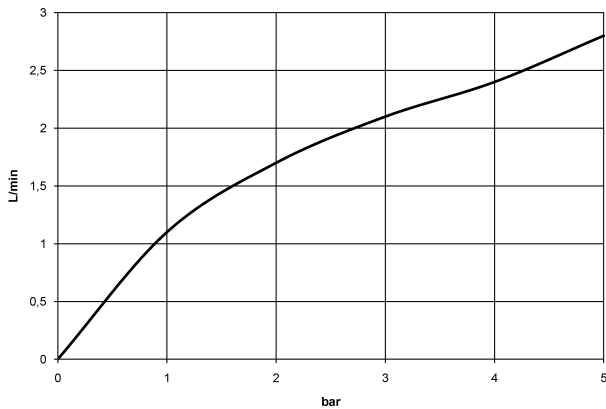
Kitchen - Meta.02
HOT & COLD WATER DISPENSER - polished chrome
Article number: 17 861 625-00

Dimensional drawing



All dimensions in mm / inch = mm x 0,0394

Flow rate chart





Kitchen - Meta.02
HOT & COLD WATER DISPENSER - polished chrome
Article number: 17 861 625-00

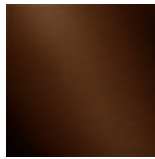
Other surface finishes



platinum matte
17 861 625-06



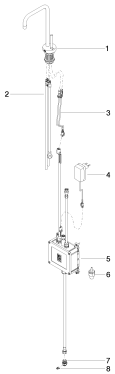
Dark Brass matte
17 861 625-16



Dark Bronze matte
17 861 625-17

More custom finish options are available via special production (xTra Service). Please see our finish matrix for availability and pricing or contact a Dornbracht representative.

Spare parts list



Number	Item Number	Designation	Number of units
--------	-------------	-------------	-----------------